

THIS DRAWING IS UNPUBLISHED.

RELEASED FOR PUBLICATION

ALL RIGHTS RESERVED.

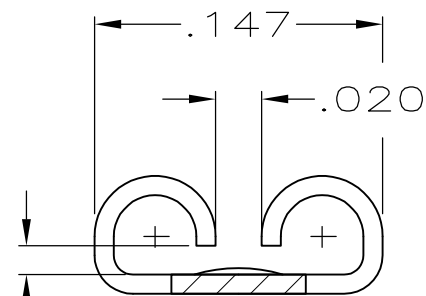
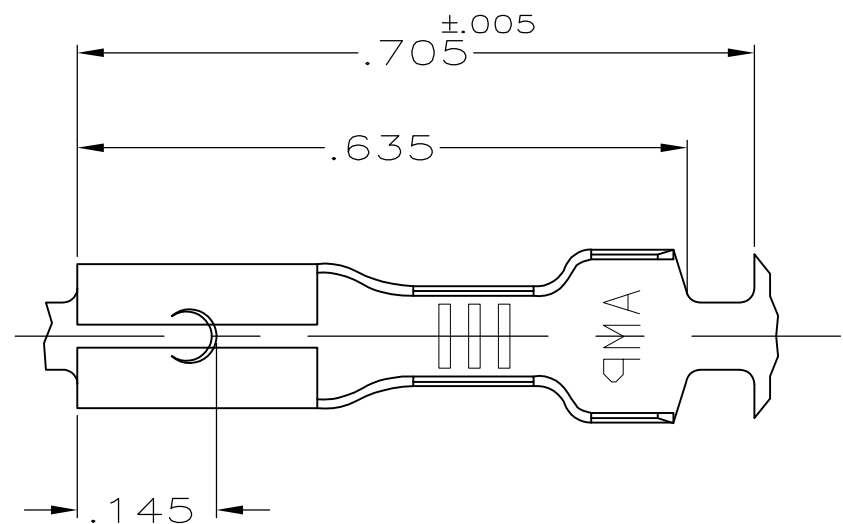
© COPYRIGHT - By -

LOC AF DIST 50

REVISIONS

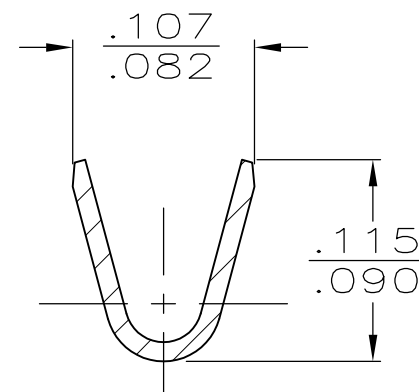
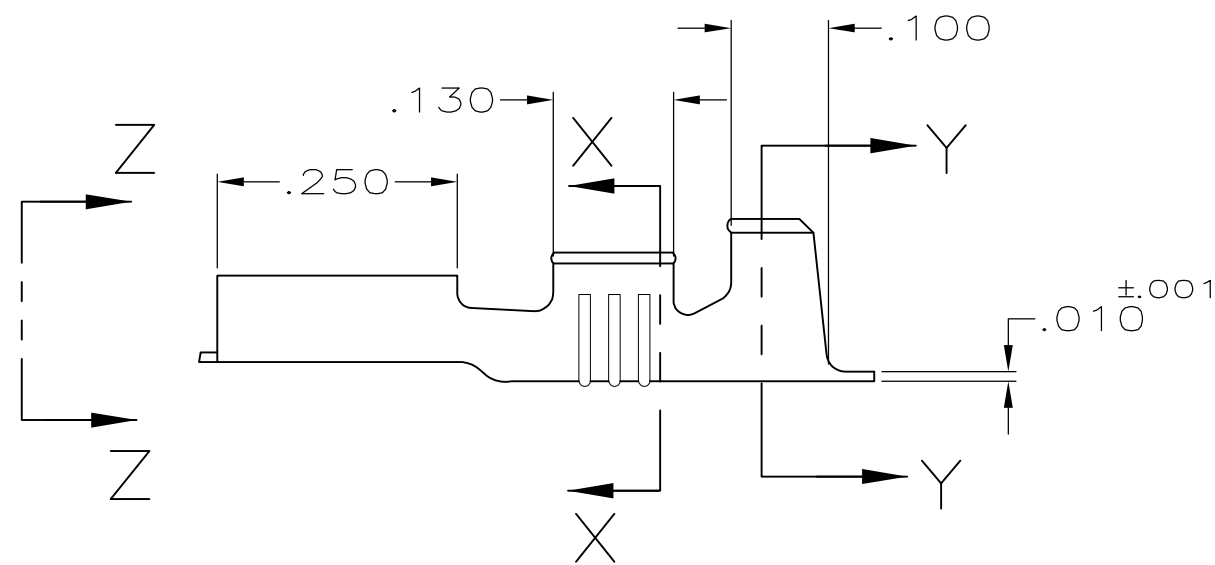
P	LTR	DESCRIPTION	DATE	DWN	APVD
	E	REVISED PER ECR-12-013445	09NOV12	KH	PD

1 CONTINUOUS STRIP ON REELS

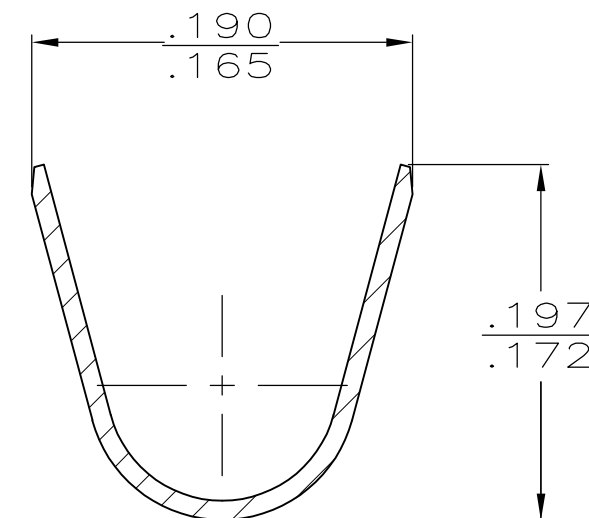


FITS .110 SERIES FASTON TABS

VIEW Z-Z  
SCALE 10:1



SECTION X-X  
SCALE 10:1

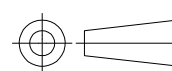


SECTION Y-Y  
SCALE 10:1

.120-.140	22-18 AWG	.020	60729-1
INSUL RANGE	WIRE SIZE	MATING TAB THK ±.001	PART NO.

THIS DRAWING IS A CONTROLLED DOCUMENT.

DIMENSIONS:  
INCHES



TOLERANCES UNLESS OTHERWISE SPECIFIED:

0 PLC	± -
1 PLC	± -
2 PLC	± -
3 PLC	± .015
4 PLC	± -
ANGLES	± -

MATERIAL

BRASS

FINISH

PRE-TIN

DWN JR RUTH 12/20/90

CHK MS FEHER 12/20/90

APVD C MEYERS 12/21/90

PRODUCT SPEC

APPLICATION SPEC

WEIGHT -

CUSTOMER DRAWING



NAME RECEPTACLE, FASTON, .110 SERIES

SIZE	CAGE CODE	DRAWING NO	RESTRICTED TO
A3	00779	C-60729	-

SCALE	SHEET	REV
5:1	1 OF 1	E